

Instruction Manual



80A03

TekConnect Probe Interface Module

071-1298-00

This document applies to firmware version 1.00 and above.

Warning

The servicing instructions are for use by qualified personnel only. To avoid personal injury, do not perform any servicing unless you are qualified to do so. Refer to all safety summaries prior to performing service.

www.tektronix.com

Copyright © Tektronix, Inc. All rights reserved.

Tektronix products are covered by U.S. and foreign patents, issued and pending. Information in this publication supercedes that in all previously published material. Specifications and price change privileges reserved.

Tektronix, Inc., P.O. Box 500, Beaverton, OR 97077-0001

TEKTRONIX, TEK, and TekConnect are registered trademarks of Tektronix, Inc.

WARRANTY

Tektronix warrants that the products that it manufactures and sells will be free from defects in materials and workmanship for a period of one (1) year from the date of shipment. If a product proves defective during this warranty period, Tektronix, at its option, either will repair the defective product without charge for parts and labor, or will provide a replacement in exchange for the defective product.

In order to obtain service under this warranty, Customer must notify Tektronix of the defect before the expiration of the warranty period and make suitable arrangements for the performance of service. Customer shall be responsible for packaging and shipping the defective product to the service center designated by Tektronix, with shipping charges prepaid. Tektronix shall pay for the return of the product to Customer if the shipment is to a location within the country in which the Tektronix service center is located. Customer shall be responsible for paying all shipping charges, duties, taxes, and any other charges for products returned to any other locations.

This warranty shall not apply to any defect, failure or damage caused by improper use or improper or inadequate maintenance and care. Tektronix shall not be obligated to furnish service under this warranty a) to repair damage resulting from attempts by personnel other than Tektronix representatives to install, repair or service the product; b) to repair damage resulting from improper use or connection to incompatible equipment; c) to repair any damage or malfunction caused by the use of non-Tektronix supplies; or d) to service a product that has been modified or integrated with other products when the effect of such modification or integration increases the time or difficulty of servicing the product.

THIS WARRANTY IS GIVEN BY TEKTRONIX IN LIEU OF ANY OTHER WARRANTIES, EXPRESS OR IMPLIED. TEKTRONIX AND ITS VENDORS DISCLAIM ANY IMPLIED WARRANTIES OF MERCHANTABILITY OR FITNESS FOR A PARTICULAR PURPOSE. TEKTRONIX' RESPONSIBILITY TO REPAIR OR REPLACE DEFECTIVE PRODUCTS IS THE SOLE AND EXCLUSIVE REMEDY PROVIDED TO THE CUSTOMER FOR BREACH OF THIS WARRANTY. TEKTRONIX AND ITS VENDORS WILL NOT BE LIABLE FOR ANY INDIRECT, SPECIAL, INCIDENTAL, OR CONSEQUENTIAL DAMAGES IRRESPECTIVE OF WHETHER TEKTRONIX OR THE VENDOR HAS ADVANCE NOTICE OF THE POSSIBILITY OF SUCH DAMAGES.

Table of Contents

	General Safety Summary	iii
	Service Safety Summary	v
	Contacting Tektronix	vi
Getting Started		
	The TekConnect Interface	2
	Standard Accessories	3
	Optional Accessories	3
	Installing the TekConnect Probe Interface Module	4
	Performing a Functional Check	9
	Calibrating the TekConnect Probe Interface Module	12
Operating Basics		
	Understanding the Controls	13
	Triggering the Sampling Oscilloscope	14
	Sampling Module Incompatibility	19
Reference		
	Avoiding Damage from Overvoltage	21
	Avoiding Damage from Electrostatic Discharge	21
Specifications		
	Electrical characteristics	23
	Environmental characteristics	23
	Physical characteristics	24
Maintenance		
	Inspecting and Cleaning	25
	Troubleshooting	25
	Replacing Parts	26
	Repackaging for Shipment	26
Replaceable Parts		
	Parts Ordering Information	27
	Using the Replaceable Parts List	28

List of Figures

Figure 1: The 80A03 TekConnect Probe Interface Module	1
Figure 2: TekConnect Probe Interface Module inputs and outputs	4
Figure 3: Extender cable connection to the sampling oscilloscope	5
Figure 4: Installing the sampling module into the TekConnect Probe Interface Module	6
Figure 5: Connecting the sampling module	7
Figure 6: Installing TekConnect probes	8
Figure 7: Equipment setup for functional check	10
Figure 8: Removing the semi-rigid cable	15
Figure 9: Setup for triggering the sampling oscilloscope using the 80A03 TekConnect Probe Interface Module	16
Figure 10: Trigger offset indicator	17
Figure 11: Setup for triggering the sampling oscilloscope and viewing signals using the 80A03 TekConnect Probe Interface Module	18
Figure 12: 80A03 replaceable parts	29

List of Tables

Table 1: 80A03 features and standard accessories	3
Table 2: Recommended equipment for performing a functional check	9
Table 3: Recommended equipment for triggering setup	14
Table 4: Electrical characteristics	23
Table 5: Environmental characteristics	23
Table 6: Physical characteristics	24

General Safety Summary

Review the following safety precautions to avoid injury and prevent damage to this product or any products connected to it.

To avoid potential hazards, use this product only as specified.

Only qualified personnel should perform service procedures.

While using this product, you may need to access other parts of the system. Read the *General Safety Summary* in other system manuals for warnings and cautions related to operating the system.

To Avoid Fire or Personal Injury

Connect and Disconnect Properly. Do not connect or disconnect probes or test leads while they are connected to a voltage source.

Connect the probe output to the measurement instrument before connecting the probe to the circuit under test. Disconnect the probe input and the probe ground from the circuit under test before disconnecting the probe from the measurement instrument.

Ground the Product. This product is indirectly grounded through the grounding conductor of the mainframe power cord. To avoid electric shock, the grounding conductor must be connected to earth ground. Before making connections to the input or output terminals of the product, ensure that the product is properly grounded.

Observe All Terminal Ratings. To avoid fire or shock hazard, observe all ratings and markings on the product. Consult the product manual for further ratings information before making connections to the product.

The common terminal is at ground potential. Do not connect the common terminal to elevated voltages.

Connect the ground lead of the probe to earth ground only.

Do Not Operate Without Covers. Do not operate this product with covers or panels removed.

Avoid Exposed Circuitry. Do not touch exposed connections and components when power is present.

Do Not Operate With Suspected Failures. If you suspect there is damage to this product, have it inspected by qualified service personnel.

Do Not Operate in Wet/Damp Conditions.

Do Not Operate in an Explosive Atmosphere.

Keep Product Surfaces Clean and Dry.

Symbols and Terms

Terms in this Manual. These terms may appear in this manual:



WARNING. *Warning statements identify conditions or practices that could result in injury or loss of life.*



CAUTION. *Caution statements identify conditions or practices that could result in damage to this product or other property.*

Terms on the Product. These terms may appear on the product:

DANGER indicates an injury hazard immediately accessible as you read the marking.

WARNING indicates an injury hazard not immediately accessible as you read the marking.

CAUTION indicates a hazard to property including the product.

Symbols on the Product. The following symbols may appear on the product:



Service Safety Summary

Only qualified personnel should perform service procedures. Read this *Service Safety Summary* and the *General Safety Summary* before performing any service procedures.

Do Not Service Alone. Do not perform internal service or adjustments of this product unless another person capable of rendering first aid and resuscitation is present.

Disconnect Power. To avoid electric shock, switch off the instrument power, then disconnect the power cord from the mains power.

Use Care When Servicing With Power On. Dangerous voltages or currents may exist in this product. Disconnect power, remove battery (if applicable), and disconnect test leads before removing protective panels, soldering, or replacing components.

To avoid electric shock, do not touch exposed connections.

Contacting Tektronix

Phone	1-800-833-9200*
Address	Tektronix, Inc. Department or name (if known) 14200 SW Karl Braun Drive P.O. Box 500 Beaverton, OR 97077 USA
Web site	www.tektronix.com
Sales support	1-800-833-9200, select option 1*
Service support	1-800-833-9200, select option 2*
Technical support	Email: techsupport@tektronix.com 1-800-833-9200, select option 3* 6:00 a.m. - 5:00 p.m. Pacific time

* **This phone number is toll free in North America. After office hours, please leave a voice mail message. Outside North America, contact a Tektronix sales office or distributor; see the Tektronix web site for a list of offices.**

Getting Started

The 80A03 TekConnect Probe Interface Module is an adapter that allows you to use TekConnect probes with CSA8000 and TDS8000 Series sampling oscilloscopes and 80E0X sampling modules. The interface is comprised of an enclosure that houses a compartment for one 80E0X electrical sampling module and two TekConnect probe inputs. The interface connects to the sampling oscilloscope through a permanently attached 1 meter extender cable.

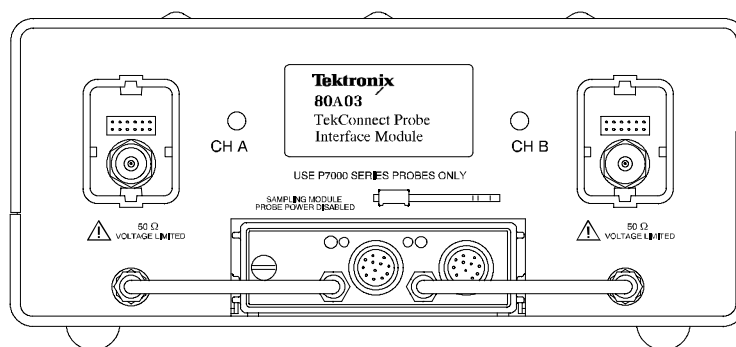


Figure 1: The 80A03 TekConnect Probe Interface Module

The 80A03 TekConnect Probe Interface Module also allows you the flexibility of using the interface as a general-purpose sampling module extender cable by simply disconnecting the short semi-rigid cables on the front panel of the interface and using the sampling module inputs directly.

The TekConnect Probe Interface Module supports probe interface conversion between CSA8000 and TDS8000 Series sampling oscilloscopes and the following TekConnect probes.

Supported TekConnect probes

P7225

P7240

P7260

P7330

P7350

P7350SMA

The following electrical sampling modules are recommended for use with the TekConnect Probe Interface Module.

Recommended Tektronix sampling modules	Description
80E01 ¹	Single channel, 50 GHz
80E02 ²	Dual channel, 12.5 GHz
80E03 ²	Dual channel, 20 GHz
80E04 ²	Dual Channel, 20 GHz with TDR
80E06 ¹	Single channel, 70 GHz

¹ **Requires 2.4/1.85 mm to 2.92 mm SMA adapter (Tektronix part number 011-0157-00, standard with these sampling modules). Also requires custom cable not available from Tektronix: use a short high-quality SMA cable or fabricate your own semi-rigid cable.**

² **Recommended for use with 80A03 TekConnect Probe Interface Module.**

The 80A03 TekConnect Probe Interface Module does not support the Tektronix P6209 probe. For this probe the interface disables the sampling module inputs.

There is also no support for TekProbe Level 2 legacy probes that utilize the TCA-1MEG, TCA-BNC, and TCA75 adapters.

The TekConnect Interface

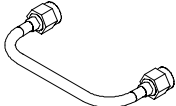

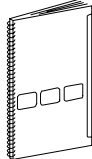
Power for the 80A03 TekConnect Probe Interface Module, sampling module, and TekConnect probes is supplied through the cable that connects the TekConnect Probe Interface Module to the sampling oscilloscope. The same cable also provides a data and communications path from the probe contact pins through the interface to the oscilloscope. Power, signal, offset, and probe characteristic data transfers through this interface.

When a probe is connected, the TekConnect Probe Interface Module reads information from the probe, identifies the device, and turns on the appropriate power supplies.

Standard Accessories

Table 1 lists the 80A03 TekConnect Probe Interface Module features and standard accessories.

Table 1: 80A03 features and standard accessories

Accessory	Description
	<p>Semi-Rigid Cables. Consists of two semi-rigid SMA-to-SMA cables for connecting the electrical sampling module to the TekConnect Probe Interface Module, Tektronix part number 174-4857-xx.</p>
	<p>Statement of compliance. A certificate verifying the product was assembled and verified using established procedures and work instructions. When applicable, test equipment is traceable to known standards.</p> <p>Included with product at initial shipment. This accessory cannot be ordered.</p>
	<p>Instruction Manual. Provides instructions for operating and maintaining the 80A03 TekConnect Probe Interface Module, Tektronix part number 071-1298-xx.</p>

Optional Accessories

No optional accessories are available for the 80A03 TekConnect Probe Interface Module.

Installing the TekConnect Probe Interface Module

Figure 2 shows the TekConnect Probe Interface Module and locations of the sampling module and probe inputs. The extender cable on the rear of the interface connects to the sampling oscilloscope front panel.

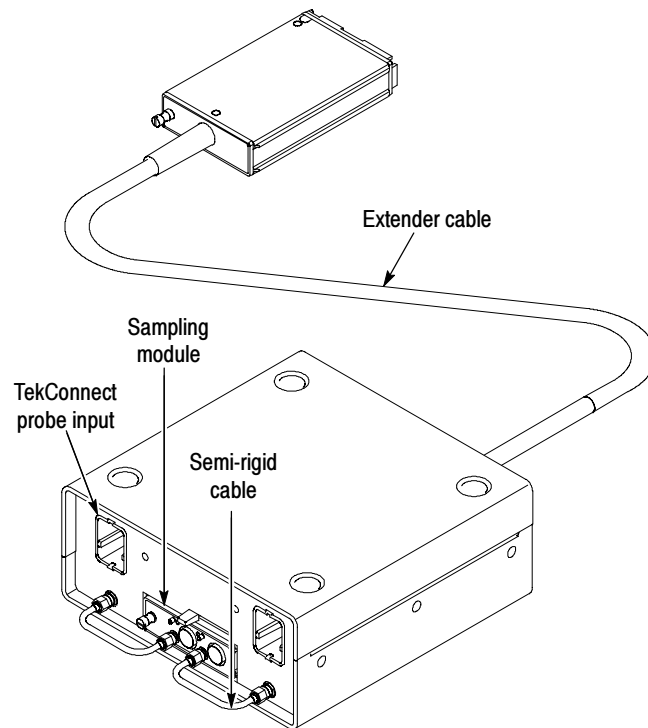


Figure 2: TekConnect Probe Interface Module inputs and outputs

Installing the TekConnect Probe Interface Module consists of the following steps:

1. Connecting the Interface Module to the Sampling Oscilloscope.
2. Installing the Sampling Module.
3. Installing the Semi-Rigid SMA Connector Cables.
4. Installing the TekConnect Probe.

Connecting the Interface Module to the Sampling Oscilloscope



To install the TekConnect Probe Interface Module Extender Cable into the front panel of the sampling oscilloscope, perform the following tasks:

CAUTION. To prevent damage to the sampling module, never install or remove a module when the sampling oscilloscope is powered on or when either input connector is left unprotected. Follow the precautions described in your sampling module and oscilloscope manuals to avoid damage.

1. Turn off the sampling oscilloscope using the front-panel On/Standby switch.
2. Install the TekConnect Probe Interface Module Extender Cable connector into any of the small sampling module compartments on the front panel of the sampling oscilloscope. See Figure 3.
3. Push the module in slowly with firm pressure to seat it.
4. Tighten the hold-down screw to hold the connector in place. To remove the connector later, loosen the hold-down screw and slide the ejector lever.

NOTE. Installing a large sampling module into either compartment of the sampling oscilloscope disables the associated channel on the small module.

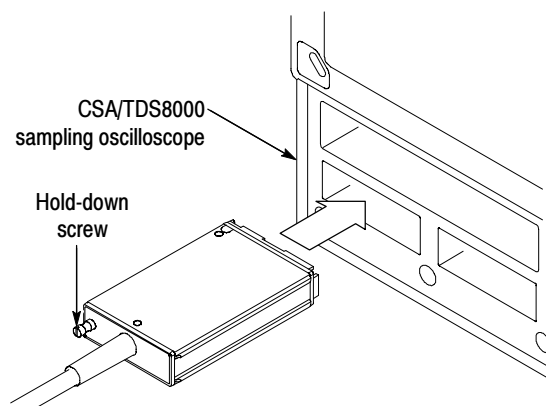


Figure 3: Extender cable connection to the sampling oscilloscope

NOTE. Do not use any additional extender cables to connect the 80A03 TekConnect Probe Interface Module to the sampling oscilloscope.

Installing the Sampling Module

To install the sampling module into the front panel of the TekConnect Probe Interface Module, perform the following tasks:



CAUTION. Sampling modules are inherently vulnerable to static damage. Always observe static-safe procedures and precautions as outlined in your sampling module user manual.

1. Verify that the sampling oscilloscope is powered off; if necessary, toggle the front-panel On/Standby switch.
2. Insert the sampling module into the front-panel compartment of the TekConnect Probe Interface Module as shown in Figure 4.
3. Push the module in slowly with firm pressure to seat it.
4. Once the module is seated, turn the hold-down screw to tighten the sampling module in place. See Figure 4.
5. To release the module later, loosen the hold-down screw fully, and then slide the ejector lever.

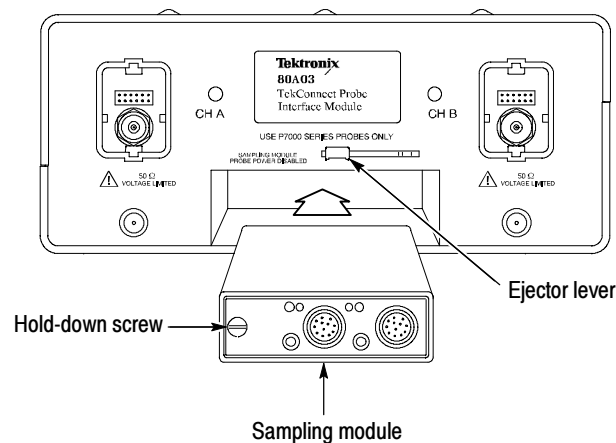


Figure 4: Installing the sampling module into the TekConnect Probe Interface Module

NOTE. To remove the sampling module, first loosen the hold-down screw; then use the ejector lever on the interface module to eject the sampling module.

Installing the Semi-Rigid SMA Connector Cables

To provide a signal path between the sampling module and the TekConnect Probe Interface Module, perform the following tasks:

1. Connect your wrist strap to the antistatic connector on the front of the sampling oscilloscope.
2. Use the two semi-rigid SMA cables (included with this product) to connect the TekConnect Probe Interface Module to the sampling module as shown in Figure 5. To obtain proper alignment and mate the SMA connectors, you may need to change the bend angle of the center bend. It is recommended that you do not change the bend angle by more than 1/8 in.

NOTE. Always use a calibrated torque wrench to install adapters, attenuators, cables, or power sensors in any setup. Torque all connections to 8 ± 0.3 inch pounds. For information on proper installation and torquing techniques, refer to your sampling module user manual.

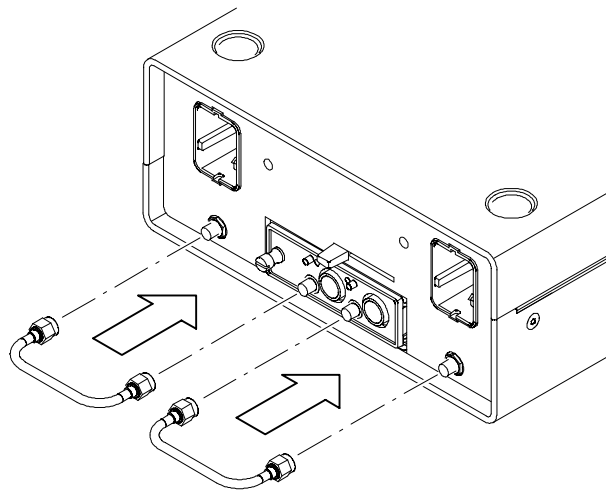


Figure 5: Connecting the sampling module



CAUTION. The semi-rigid SMA connector cables used on the 80A03 TekConnect Probe Interface Module are not compatible with the input connections of 80E01 and 80E06 sampling modules.

Do not attempt to force a connection between the semi-rigid connector cables on the TekConnect Probe Interface Module and these sampling modules. Use the proper adapter or damage to the sampling module will occur. See page 2 for additional information.

Installing the TekConnect Probe

The TekConnect probe features a spring-loaded latch that provides audible and tactile confirmation that a reliable connection has been made to the TekConnect Probe Interface Module.

NOTE. *It is not necessary to power off the sampling oscilloscope when removing or installing a TekConnect probe.*

To connect a TekConnect probe to the TekConnect Probe Interface Module, perform the following tasks:

1. Slide the probe into the TekConnect receptacle on the TekConnect Probe Interface Module. The probe snaps into the TekConnect Probe Interface Module when fully engaged. See Figure 6.
2. To release the probe from the TekConnect Probe Interface Module, grasp the compensation box, press the latch button, and pull out on the probe.

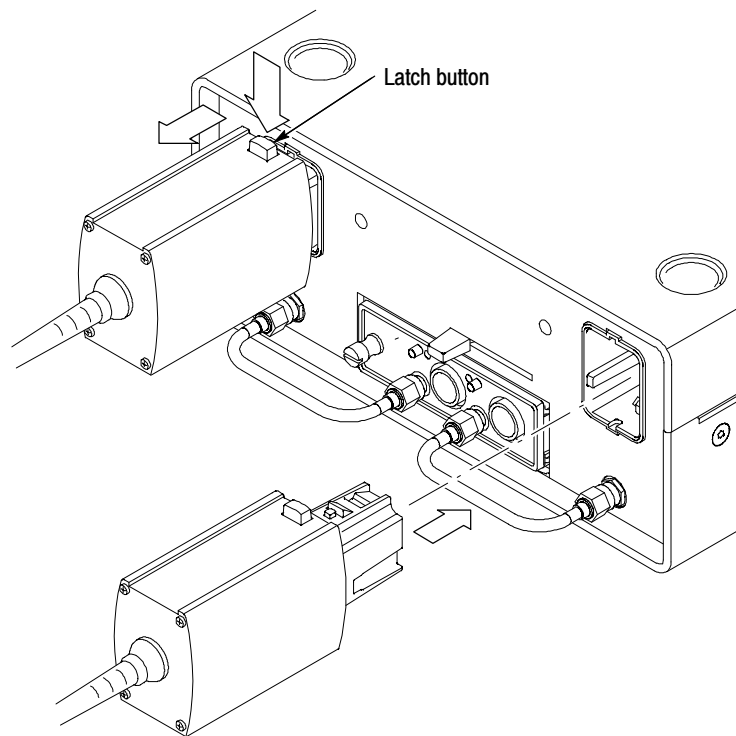


Figure 6: Installing TekConnect probes

Performing a Functional Check

To verify that the 80A03 TekConnect Probe Interface Module is functioning properly, perform the following procedure.

Refer to Table 2 for a list of recommended equipment.

Table 2: Recommended equipment for performing a functional check

Item description	Recommended example
Sampling oscilloscope	Tektronix CSA8000 or TDS8000
Sampling module	Tektronix 80E02, 80E03, or 80E04
TekConnect probe	Tektronix P7000 Series
Probe tip adapter	Tektronix P7225, P7240: 015-0678-xx Tektronix P7260: 067-1456-xx Tektronix P7330, P7350: 067-0419-00
Semi-rigid SMA cables (2)	Tektronix part number 174-4857-xx
SMA cable	Tektronix part number 174-1427-00
50 Ω termination, SMA-type	Tektronix part number 015-1022-xx
Torque wrench	SMA 5/16, 8 in-lb

To verify the functionality of Channel A, perform the following tasks:

1. Initialize the system:
 - a. Power on the sampling oscilloscope.
 - b. Wait for the boot up process to complete.
 - c. Press the front panel **Default Setup** button.
2. Connect the signal source:
 - a. On the sampling oscilloscope, connect the SMA cable to the Internal Clock Output. See Figure 7 on page 10 for details.
 - b. Connect the Probe Tip Adapter with 50 ohm termination to the other end of the SMA cable.
3. Set up the trigger system:
 - a. In the UI application toolbar, select **Internal Clock** from the Trig List menu box.
4. Connect the probe:

- a. Attach the P7000 Series probe to the Channel A input of the 80A03 TekConnect Probe Interface Module.
- b. Install the probe tip onto the probe tip adapter.

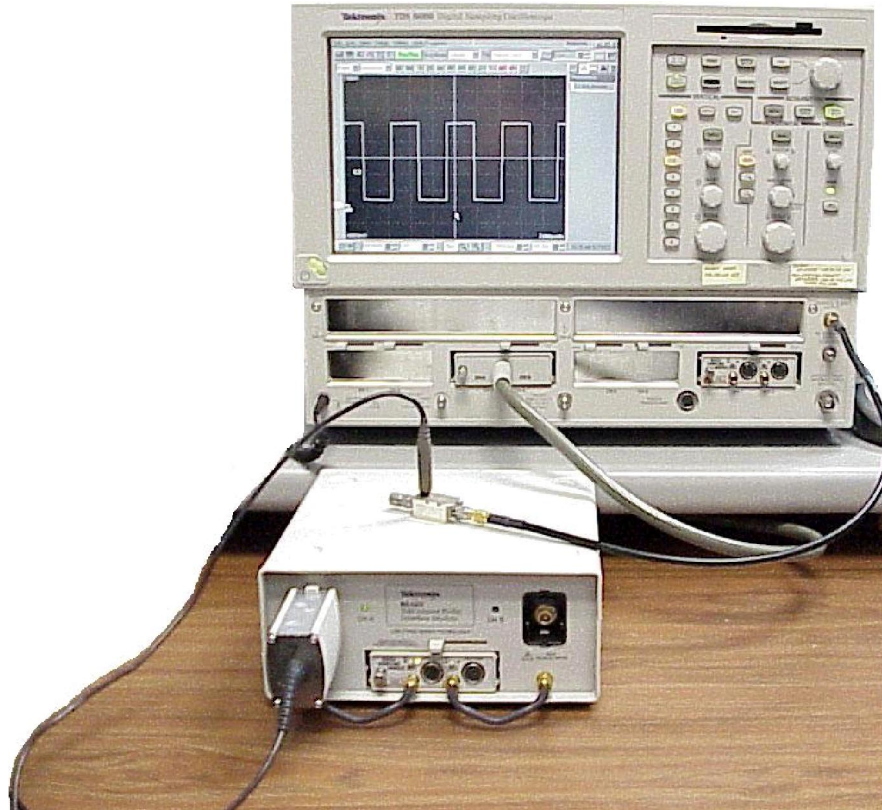


Figure 7: Equipment setup for functional check

5. Set up the channel for test:
 - a. On the sampling oscilloscope, press the channel button to select the channel that is connected.

The Channel button lights, the sampling module LED lights, and the selected channel on the sampling oscilloscope becomes active.
 - b. Turn the Vertical scale knob and set the sensitivity to display a waveform similar to the one shown in Figure 7.
 - c. Turn the Horizontal scale knob to indicate 2 $\mu\text{s}/\text{div}$.

6. Verify the channel operation:
 - a. Verify the LED on the TekConnect Probe Interface Module for the channel under test is Green.
 - b. On the sampling oscilloscope verify the probe model, serial number, scale, dynamic range, impedance, and other information by selecting the **Utilities > System Properties > Probes** menu for the channel under test.

NOTE. *The sampling oscilloscope displays the first six characters of the TekConnect probe model and truncates the remaining characters. For example, the oscilloscope will identify a P7350SMA probe as P7350S.*

The impedance value displayed for P7330, P7350, and P7350SMA probes is for single-ended configuration. The displayed value is one half the value listed on the probe label.

- c. On the sampling oscilloscope, verify that the extender cable length is listed as 1 meter in the **Utilities > System Properties > Sampling Modules** menu.
- d. On the sampling oscilloscope, verify that the signal displayed is a square wave of approximately 1 V_{p-p} with a 5 μs period.
- e. Adjust the offset and verify that the display signal moves vertically to the offset level.
- f. Adjust the vertical scale and verify that the displayed signal height changes.

To verify functionality of the TekConnect Probe Interface Module Channel B, perform the following tasks:

1. Connect the probe to Channel B instead of Channel A.
2. Repeat steps 5 through 6 above.

Functional Checks for Other Equipment

To verify that the oscilloscope, sampling module, or TekConnect probe is performing properly, run the calibration, compensation, or functional verification procedure recommended for the individual product. For detailed instructions, refer to the user manuals that accompanied these products.

Calibrating the TekConnect Probe Interface Module

The 80A03 TekConnect Probe Interface Module requires no internal calibration. However, after installing any sampling module, you should run a compensation procedure from the sampling oscilloscope. This ensures that the entire test system meets warranted accuracy specifications with the TekConnect interface and probe attached. Refer to your sampling module, probe, and oscilloscope manuals for specific calibration procedures.

Operating Basics

This section contains information you need to operate the 80A03 TekConnect Probe Interface Module.

Understanding the Controls

The 80A03 TekConnect Probe Interface Module front panel has one multi-color LED for each channel. During power on and normal operation, the LEDs report red, green, or off as explained below. The TekConnect Probe Interface Module contains no additional user controls.

- **Red.** Indicates that an incompatible probe is attached to the TekConnect input. See page 1 for a list of compatible probes.
- **Green.** Indicates that a supported probe is attached to the TekConnect input.
- **Off.** Indicates that the probe interface is disconnected from the sampling oscilloscope (no power) or that a probe is not attached to the TekConnect input.

Power On Status

The following describes typical TekConnect Probe Interface Module operation when you power on the sampling oscilloscope with the probe interface installed:

- Both LEDs flicker green, then red, then green, and turn off. This indicates that proper power is applied and initialization has occurred.
- The LEDs do not light. This indicates that the probe interface is not receiving power and may be disconnected from the sampling oscilloscope.

Probe Status

The following describes typical TekConnect Probe Interface Module operation when you attach a TekConnect probe:

- The LED turns green, indicating that a valid probe is attached. If you pressed the oscilloscope channel button, the display also becomes active for the channel selected.
- The LED turns red, indicating that an invalid or unrecognized probe is attached.
- The LED remains off, indicating that no probe is detected.

Triggering the Sampling Oscilloscope

Use the following procedures to set up the 80A03 TekConnect Probe Interface Module to trigger and view signals on CSA8000 and TDS8000 Series sampling oscilloscopes.

Trigger Bandwidth Considerations

The TekConnect Probe Interface Module supports many models of TekConnect probes. Since the trigger bandwidth limit is determined by the probe bandwidth and oscilloscope trigger capability, some probes may be more suitable than others to your measurement needs.

CSA8000 and TDS8000 Series oscilloscopes provide two trigger inputs you can use with external probes, direct or prescaled. When selecting an input, you should consider the frequency of the signal being measured. The bandwidth specification of the measurement probe must also meet or exceed that of the signal being measured.

In addition, consider the following factors when setting up equipment to take measurements:

- The oscilloscope trigger sensitivity relative to the amplitude of the signal being measured.
- The probe scale factor.
- The attenuation factor of the power divider used, if you choose to view signals on the oscilloscope following the trigger.

NOTE. Refer to your sampling oscilloscope user manual for direct and prescaled trigger specifications.

Recommended Equipment

Refer to Table 3 for a list of equipment you need to implement the triggering setups.

Table 3: Recommended equipment for triggering setups

To trigger only	To trigger and view a signal
Tektronix CSA8000 or TDS8000 Series sampling oscilloscope	Tektronix CSA8000 or TDS8000 Series sampling oscilloscope
Tektronix 80A03 TekConnect Probe Interface Module	Tektronix 80A03 TekConnect Probe Interface Module
Tektronix 80E02, 80E03, or 80E04 electrical sampling module	Tektronix 80E02, 80E03, or 80E04 electrical sampling module

Table 3: Recommended equipment for triggering setups (Cont.)

To trigger only	To trigger and view a signal
Compatible TekConnect probe. See page 1.	Compatible TekConnect probe. See page 1.
(1) SMA cable, 0.5 m ¹	(3) SMA cables, 0.5 m ¹
Torque wrench, SMA 5/16, 8 in-lb	Torque wrench, SMA 5/16, 8 in-lb
-----	(1) 6 dB power divider ²

¹ Tektronix part number 174-1427-00.

² Tektronix part number 015-0565-00.

Triggering CSA8000 and TDS8000 Series Oscilloscopes

To set up the TekConnect Probe Interface Module to trigger CSA8000 and TDS8000 Series Oscilloscopes, do the following:

1. Remove the semi-rigid cable that connects the CH B TekConnect Probe Interface Module to the sampling module. See Figure 8.

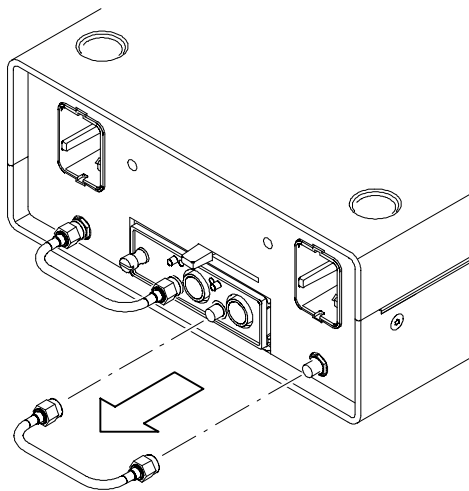


Figure 8: Removing the semi-rigid cable

2. Use a 0.5 m SMA cable to connect the CH B TekConnect Probe Interface Module to the sampling oscilloscope trigger input (Trigger Direct or Trigger Prescaled). See Figure 9 on page 16.
3. Attach the TekConnect measurement probe to CH A on the TekConnect Probe Interface Module. See Figure 9.
4. Attach a TekConnect trigger probe to CH B on the TekConnect Probe Interface Module. See Figure 9.

NOTE. Do not connect any other accessory to the sampling oscilloscope Trigger Probe power port, or use the disconnected sampling module channel for any other purpose while using this setup. Doing so may cause confusion that can lead to measurement errors.

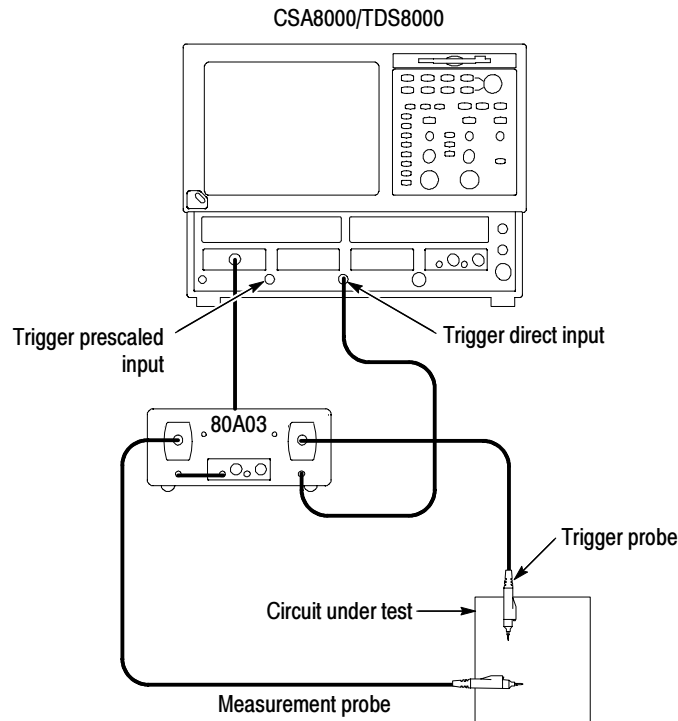


Figure 9: Setup for triggering the sampling oscilloscope using the 80A03 TekConnect Probe Interface Module

The sampling oscilloscope responds to the CH A probe as though it were connected to the vertical sampling channel:

- The Trigger probe is serviced and controlled by the sampling oscilloscope CH B vertical channel controls.
- The probe scale is not reflected in any trigger level settings assigned by the trigger setup menu.
- The offset control for the vertical channel adjusts the probe offset (if equipped).
- The sampling module offset control is disabled.

- You can view probe characteristics in the system properties menu for the measurement channel.

If you use the sampling oscilloscope Trigger Direct input, it is recommended that you set the trigger level on the oscilloscope to 0 volts and control the trigger level by directly assigning the vertical offset for the probe at the probe tip. Because the offset control in the probe affects the signal level at its output, this method of vertical offset adjustment provides calibrated trigger level operation.

To operate the offset control as a trigger level adjustment, rotate the offset adjust on CH B. This will control the offset at the probe tip so you can read the trigger level directly from the offset indicator on the sampling oscilloscope. See Figure 10.

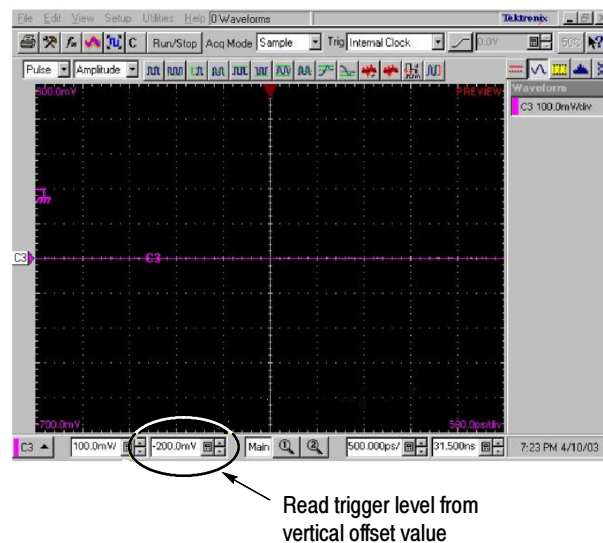


Figure 10: Trigger offset indicator

NOTE. Rotation of the control knob for this configuration is reversed. Clockwise rotation introduces a negative offset adjustment, which provides a negative trigger level. Counterclockwise rotation introduces a positive offset and a positive trigger level.

Triggering and Viewing Signals on CSA8000 and TDS8000 Series Oscilloscopes

To set up the TekConnect Probe Interface Module to trigger CSA8000 and TDS8000 Series Oscilloscopes, do the following:

1. Remove the semi-rigid cable that connects the CH B TekConnect Probe Interface Module to the sampling module. See Figure 8 on page 15.
2. Use a 0.5 m SMA cable to connect the 6 dB (2X) power divider to the disconnected CH B SMA connector on the TekConnect Probe Interface Module. See Figure 11.
3. Use a 0.5 m SMA cable to connect the disconnected port on the sampling module to one side of the 6 dB (2X) power divider. See Figure 11.
4. Use a 0.5 m SMA cable to connect the other side of the power divider to the sampling oscilloscope trigger input (Trigger Direct or Trigger Prescaled).
5. Attach a TekConnect trigger probe to CH B on the TekConnect Probe Interface Module. See Figure 11.

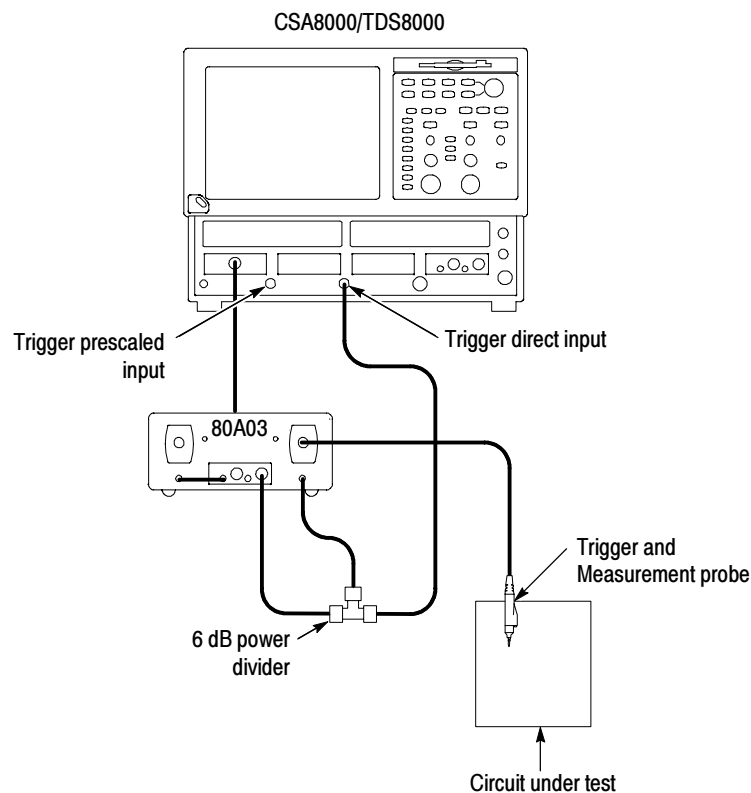


Figure 11: Setup for triggering the sampling oscilloscope and viewing signals using the 80A03 TekConnect Probe Interface Module

NOTE. Do not connect any other accessory to the sampling oscilloscope Trigger Probe power port. Doing so may cause confusion that can lead to measurement errors.

If you use the sampling oscilloscope Trigger Direct input, it is recommended that you set the trigger level on the oscilloscope to 0 volts.

With this configuration, you can control the trigger level by directly assigning the vertical offset for the CH B probe at the probe tip. Because the offset control in the probe affects the signal level at its output, this method of vertical offset adjustment provides calibrated trigger level operation.

To operate the offset control as a trigger level adjustment, rotate the offset adjustment on the sampling module channel that has the probe output disconnected. This will control the offset at the probe tip and you can read the trigger level directly from the offset indicator on the sampling oscilloscope, as shown in Figure 10.

NOTE. The 2X power divider used in this setup introduces a vertical scale error factor of 2.

Sampling Module Incompatibility

Due to SMA cable incompatibility, you cannot directly use 80E01 or 80E06 sampling modules with the 80A03 TekConnect Probe Interface Module. See page 2 for additional information.

Reference

This section contains information you may need to take measurements or to avoid damaging the 80A03 TekConnect Probe Interface Module.

Avoiding Damage from Overvoltage

Know your signal source. If it is capable of delivering overvoltages, it is safer to not depend on the signal source settings for protection, but instead use an external attenuator that protects the input from the worst-case conditions. For example, for a 20 V maximum source connected to a 3 V maximum sampling module, use a 10X attenuator. Where possible, connect your cables to the signal source first, and to the sampling module second.

You can use a Tektronix SIU 800 Static Isolation Unit to protect the sampling module from damage due to static discharge from circuit boards and cables. Use the SIU 800 in applications such as TDR circuit-board testing and cable testing where large static charges can be stored on the device under test.

Install the SIU 800 between the device under test (DUT) and the sampling module. Control the SIU 800 manually, using a foot switch, or automatically using program control through a TTL-compatible input. When the foot switch is in the normal position (not pressed), it grounds the DUT through a 50 Ω termination resistor. This grounding will discharge any static charge stored in the DUT. When it is pressed, the foot switch connects the DUT to the sampling module input, allowing a measurement to be made.

Avoiding Damage from Electrostatic Discharge

Circuitry in the sampling module is very susceptible to damage from electrostatic discharge or from overdrive signals. Be sure to only operate the sampling module in a static-controlled environment. Be sure to discharge to ground any electrostatic charge that may be present on the center and outer connectors of cables before attaching the cable to the sampling module.



CAUTION. To prevent damage from electrostatic discharge, install 50 Ω terminations (Tektronix part number 015-1022-xx) on the sampling-module connectors before removing the sampling modules from an instrument or when it is not in use. Store the sampling module in a static-free container, such as the shipping container. Whenever you move the sampling module from one instrument to another, use a static-free container to transport the sampling module

To prevent damage to the sampling module, discharge to ground any electrostatic charge that may be present on the center and outer conductors of cables before attaching the cable to the sampling module.

To prevent damage to the sampling module, do not create an ESD antenna by leaving cables attached to the sampling-module input with the other end of the cable open.

To prevent damage to the sampling module or instrument, never install or remove a sampling module when the instrument is powered-on.

Always use a wrist strap (provided with your instrument) when handling sampling modules or making signal connections. Wear anti-static clothing and work in a static-free workstation when using sampling modules.

Specifications

This section lists the electrical, environmental, and physical characteristics of the 80A03 TekConnect Probe Interface Module.

Specifications listed in this section are guaranteed unless labeled “typical.” Typical specifications are provided for your convenience and are not guaranteed.

The electrical characteristics listed in Table 4 are valid when the 80A03 TekConnect Probe Interface Module operates within the environmental conditions listed in Table 5 on page 23.

Table 4: Electrical characteristics

Characteristic	Description
Output Impedance, nominal	50 Ω ¹
Frequency range ² , typical	DC to > 12 GHz
Insertion Loss ³ , typical	DC to 6 GHz: < 0.4 dB DC to 12 GHz < 0.6 dB
Return Loss ³ , typical	DC to 6 GHz: > 25 dB DC to 12 GHz > 20 dB
Electrical Delay ³ , nominal	0.90 ns
Extender Delay, nominal	5 μ s
Nondestructive Input Voltage, nominal	
Sampling heads	80E02, 80E03, 80E04: \pm 3 VDC + peak AC
Probe tips	P7225, P7240, P7260: \pm 30 VDC + peak AC P7330, P7350, P7350SMA: \pm 15 VDC + peak AC

¹ Provided by the sampling module input.

² TekConnect adapter.

³ TekConnect adapter to electrical sampling module. Does not include probe or sampling module extender.

Table 5: Environmental characteristics

Characteristic	Description
Temperature Range	
Operating	10 °C to 40 °C (50 °F to 104 °F)
Nonoperating	-22 °C to +60 °C (-7.6 °F to 140 °F)
Humidity	
Operating	20 to 80% RH, noncondensing

Table 5: Environmental characteristics (Cont.)

Characteristic	Description
Nonoperating	5 to 90% RH, noncondensing
Altitude	
Operating	3,048 m (10,000 ft)
Nonoperating	12,190 m (40,000 ft)
Mechanical Shock	50 g half-sine: 11 ms

Table 6: Physical characteristics

Characteristic	Description
Weight ¹	2.04 kg (4.5 lbs)
Dimensions	Height: 110 mm (4.250 in) Width: 70 mm (2.750 in) Depth: 42 mm (1.625 in)
Cable Length, nominal	1 m (3.28 ft)

¹ **Does not include accessories and shipping container.**

Maintenance

This section contains information you can use to clean and maintain your equipment.

Inspecting and Cleaning

Remove accumulated loose dust from the TekConnect Probe Interface Module and sampling module with a soft cloth or brush. Remaining dirt may be removed with a soft cloth dampened with a mild detergent and water solution, or use isopropyl alcohol.

Do not immerse any equipment in cleaning solutions or use abrasive cleaners.



CAUTION. To prevent damage, avoid using cleaning materials that contain acetone, benzene, toluene, xylene, or similar solvents.

Troubleshooting

If you encounter problems installing or operating the TekConnect Probe Interface Module, try the following troubleshooting procedures.

Power On Indicators

To verify the interface module and microcontroller are functioning properly, perform the following steps:

1. Attach a valid probe to the TekConnect input:

The LED turns green if the interface module is receiving power and the microcontroller is functioning normally.

2. Attach an invalid probe to the TekConnect input:

The LED turns red if the interface module is receiving power, the microcontroller is functioning normally, and a probe is being sensed.

No Signal Detected

If the LEDs respond normally at power on, but no signal is detected by the sampling oscilloscope (probe connected), check the sampling module and semi-rigid cable connections.

Product Requires Service

The following conditions indicate an internal failure. See page vi for information on contacting Tektronix for service.

- No LED activity at power on.
- LEDs are inactive on a single channel.
- LED response is inconsistent when connecting the same probe alternately to both channels.

Replacing Parts

Refer to the *Replaceable Parts* section on page 27 for a list of customer replacement parts.

Repackaging for Shipment

If the original packaging is unfit for use or not available, use the following packaging guidelines:

1. Use a corrugated cardboard shipping carton having inside dimensions at least one inch greater than the probe dimensions. The box should have a carton test strength of at least 200 pounds.
2. Put the probe into an antistatic bag or wrap to protect it from dampness.
3. Place the probe into the box and stabilize it with light packing material.
4. Seal the carton with shipping tape.

Replaceable Parts

This section contains a list of the replaceable parts for the 80A03 TekConnect Probe Interface Module. Use this list to identify and order replacement parts.

Parts Ordering Information

Replacement parts are available through your local Tektronix field office or representative.

Changes to Tektronix products are sometimes made to accommodate improved components as they become available and to give you the benefit of the latest improvements. Therefore, when ordering parts, it is important to include the following information in your order:

- Part number
- Instrument type or model number
- Instrument serial number
- Instrument modification number, if applicable

If you order a part that has been replaced with a different or improved part, your local Tektronix field office or representative will contact you concerning any change in part number.

Using the Replaceable Parts List

This section contains a list of the mechanical and or electrical components that are replaceable for the 80A03 TekConnect Probe Interface Module. Use this list to identify and order replacement parts. The following table describes each column in the parts list.

Parts list column descriptions

Column	Column name	Description
1	Figure & index number	Items in this section are referenced by figure and index numbers to the exploded view illustrations that follow.
2	Tektronix part number	Use this part number when ordering replacement parts from Tektronix.
3 and 4	Serial number	Column three indicates the serial number at which the part was first effective. Column four indicates the serial number at which the part was discontinued. No entry indicates the part is good for all serial numbers.
5	Qty	This indicates the quantity of parts used.
6	Name & description	An item name is separated from the description by a colon (;). Because of space limitations, an item name may sometimes appear as incomplete. Use the U.S. Federal Catalog handbook H6-1 for further item name identification.
7	Mfr. code	This indicates the code of the actual manufacturer of the part.
8	Mfr. part number	This indicates the actual manufacturer's or vendor's part number.

Abbreviations

Abbreviations conform to American National Standard ANSI Y1.1-1972.

Mfr. Code to Manufacturer Cross Index

The table titled Manufacturers Cross Index shows codes, names, and addresses of manufacturers or vendors of components listed in the parts list.

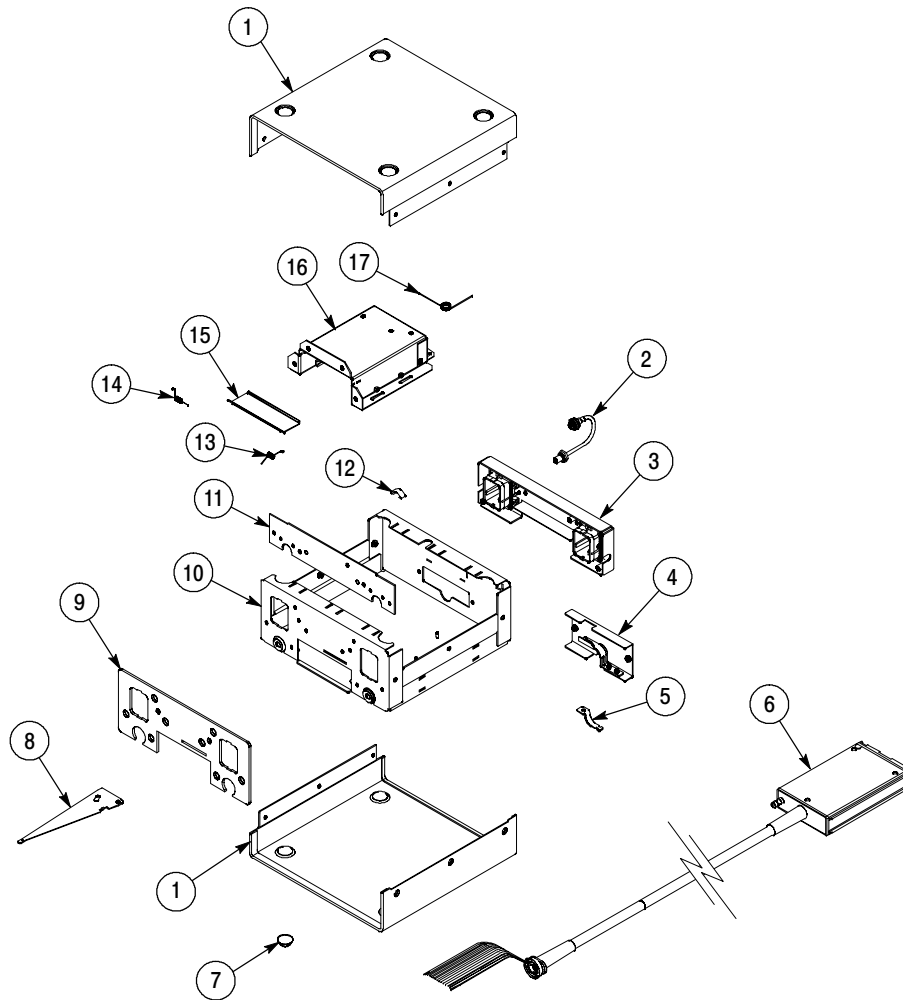


Figure 12: 80A03 replaceable parts

Replaceable parts list

Fig. & index number	Tektronix part number	Serial no. effective	Serial no. discont'd	Qty	Name & description	Mfr. code	Mfr. part number
12-1	200-4827-00			1	COVER; EXTERIOR,AL;GOLDEN GATE,SAFETY CONTROLLED	TK1943	200-4827-00
12-2	174-4856-00			2	CA,ASSY;SP,ELEC,SEMI-RIGID COAX, 0.141 OD,PLATED	060D9	174-4856-00
12-3	407-4954-00			1	BRACKET ASSY,TEKCONNECT;ACQUISITION,AL	TK1943	407-4954-00
	426-2609-00			1	RECEPTACLE; PROBE ASSEMBLY		
12-4	386-7392-00			1	PLATE,STRAIN RELIEF; EXTENDER CABLE		386-7392-00
12-5	343-1684-00			1	CLAMP,CABLE RETENTION	TK1943	343-1684-00
12-6	174-4855-00			1	CA ASSY; SP, ELEC, 28-26 AWG, 6 COAX WIRES,39 INCH LONG	060D9	174-4855-00
12-7	348-0430-00			1	BUMPER,PLASTIC; POLYURETHANE,BLACK	2K262	ORDER BY DESCRIPTION
12-8	105-1132-00			1	LEVER,EJECT; 0.048 THK SST,ELECTRICAL HEAD	TK1943	105-1132-00
12-9	386-7393-00			1	PLATE,MOUNTING; AL	TK1943	386-7393-00
12-10	441-2328-00			1	CHASSIS, MAIN ASSEMBLY	TK1943	441-2328-00
12-11	671-5711-50			1	CIRCUIT BD ASSY, FOR SERVICE ONLY	80009	671-5711-50
12-12	131-6417-00			1	CONTACT,ELEC; GROUNDING,0.600 L X 0.250 W X 0.220 D,ELECTROLESS NICKEL PLATE	TK6457	131-6417-00
12-13	214-4892-00			1	SPRING,TORSION; 0.126 OD,0.094 ID,DOOR,LEFT,0.018 DIA,MUSIC WIRE	8X345	R07SPRG3
12-14	214-4892-00			1	SPRING,TORSION; 0.126 OD,0.094 ID,DOOR,LEFT,0.018 DIA,MUSIC WIRE	8X345	R07SPRG3
12-15	200-4560-00			1	COVER; ELECTRICAL SLOT,0.031	TK1943	200-4560-00
12-16	441-2326-00			1	CHASSIS ASSY; MODULE	TK1943	441-2326-00
12-17	214-4891-00			1	SPRING,TORSION; 0.304 X 0.256 X 1.152,EJECT,0.024 DIA,MUSIC WIRE	8X345	214-4891-00
					STANDARD ACCESSORIES		
Not shown	174-4857-00			1	CA ASSY;SP, ELEC,SEMI-RIGID COAX, 0.141 OD,PLATED	060D9	174-4857-00
Not shown	171-1298-00			1	MANUAL,TECH:INSTRUCTION,80A03	80009	171-1298-00

Manufacturers cross index

Mfr. code	Manufacturer	Address	City, state, zip code
TK6457	BEIJING MINGDAR TECHNOLOGY INC	RM 213 LUIPU BLDG~NO 5 XIAGUANGLI~CHAOYANG DISTRICT	BEIJING, CN
2K262	BOYD CORPORATION	6136 NE 87TH AVENUE	PORTLAND, OR 97220
TK1943	NEILSEN MANUFACTURING INC	3501 PORTLAND RD NE	SALEM, OR 97303
0KB05	NORTH STAR NAMEPLATE INC	LABEL PRODUCTS~5750 NE MOORE COURT	HILLSBORO, OR 97124-6474
8X345	NORTHWEST SPRING MFG CO	5858 WILLOW LANE	LAKE OSWEGO, OR 97035
61935	SCHURTER INC	1016 CLEGG CT~PO BOX 750158	PETALUMA, CA 94975-0158
80009	TEKTRONIX INC	14150 SW KARL BRAUN DR~PO BOX 500	BEAVERTON, OR 97077-0001
060D9	TENSOLITE COMPANY PRECISION HARNESS AND ASSEMBLY~3000	COLUMBIA HOUSE BLVD~#120	VANCOUVER, WA 98661
	TRIAx METAL PRODUCTS INC	1800 SW MERLO DRIVE	BEAVERTON, OR 97006

